

The construction of AK-U.2 has been designed in that way that the thermal insulation requirements of the EnEV 2009 actually in force and those of the more stringent EnEV 2012 are fulfilled.



CONNECTION TO THE WINDOW IS COVERED AND FORM-FITTING

The innovative concept of the clipable adapter strip without additional sealing as well as the statically efficient special reinforcement iron have been adopted for the AK-U.2 box.



EASY MOUNTING

The adapter strip is clicked onto the window frame in the work shop. Window and roller shutter can be transported separated and safely to the building site. There, the box is simply put on the window frame and clicked into place.

LEAK TIGHTNESS OF THE SYSTEM

The construction of the adapter strip and the basis profile make it possible that they abut against the window frame neatly and closely. There are no additional measures necessary like sealing and weather stripping.



Colours in stock - delivery within 1 week approx.



colours not in stock - delivery within 3 week approx.



Further Renolit films or other films upon request

Profil	M 317 Foamed aluminium roller shutter profile	M 337 Foamed aluminium roller shutter profile	M 328-N Foamed aluminium roller shutter profile	RM 37 PVC-roller shutter profile	M 411 Foamed aluminium roller shutter profile	MY 442 Foamed aluminium roller shutter profile	M 520 Foamed aluminium roller shutter profile	RE 52 PVC-roller shutter profile

Technical Data								
Profile height:	37,0 mm	37,2 mm	37,0 mm	36,6 mm	42,0 mm	42,0 mm	52,0 mm	52,5 mm
Weight:	2,80 kg/m ²	2,90 kg/m ²	2,60 kg/m ²	3,60 kg/m ²	3,45 kg/m ²	2,85 kg/m ²	3,10 kg/m ²	3,80 kg/m ²
Width max.:	290 cm	320 cm	270 cm	200 cm	380 cm	400 cm	380 cm	220 cm
Surface max.:	6,5 m ²	7,0 m ²	5,8 m ²	2,9 m ²	8,0 m ²	8,5 m ²	8,0 m ²	4,6 m ²

Rolling characteristics with 40 mm octagonal shaft (Height of element)								
Box size	175 x 220	151 cm	148 cm	155 cm	146 cm	---	---	---
	200 x 220	244 cm	200 cm	266 cm	245 cm	---	---	---
	240 x 255	388 cm	334 cm	425 cm	402 cm	---	---	---

Rolling characteristics with 60 mm octagonal shaft (Height of element)								
Box size	175 x 220	118 cm	119 cm	133 cm	120 cm	96 cm	100 cm	93 cm
	200 x 220	218 cm	178 cm	236 cm	234 cm	172 cm	168 cm	140 cm
	240 x 255	370 cm	312 cm	403 cm	384 cm	302 cm	306 cm	239 cm

The indicated element heights for aluminium profiles with foam result from using not locked profiles. The "height" is defined as the dimension of the ready element (Upper edge of the box until lower edge of the guide channel). The indicated dimensions are used as clues only. The rolling characteristics were investigated statistically (General conditions: Width of element 260 cm, room temperature 20°, ALUKON parts (box, shaft, etc.). In case of different conditions (frost, different parts, etc.), a different reaction of the curtain and a difference of the dimensions may occur.

Technical data are subject to change.

Slight deviations in colour due to printing process.

ALUKON GmbH & Co. KG - Münchberger Str. 31 - D-95176 Konradsreuth - Telefon 0 92 92 / 950-0 - Fax 0 92 92 / 950-293 - Internet www.alukon.com - E-Mail info@alukon.com

Window Frame Mounted Box UniversalBox AK-U.2

UniversalBox for various applications in new buildings and retrofit

Complies with thermal insulation requirements according to ENEC and sound insulation

Compatible with all window types on the market - even with large dimensions



ROLLER SHUTTERS, EXTERNAL BLINDS, INSECT REPELLING SYSTEM + DOORS



AK-U.2 : SYSTEM PLATFORM WITH MAXIMAL FLEXIBILITY AND MINIMAL NUMBER OF COMPONENTS

With only one system you can implement all usual installation situations in the market:

- inspection access to the inside
- inspection access below
- inspection access to the exterior

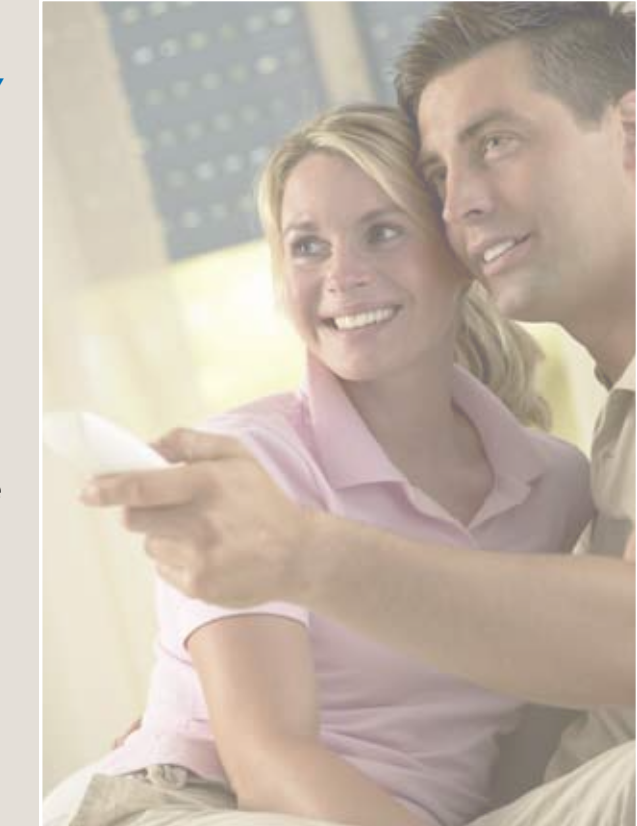
Exclusive with this Window Frame Mounted Box:

- integration of exterior blinds curtains

AK-U.2 provides you with the largest variety of options with only one kit that guarantees optimal thermal and sound insulation

This saves storage area and reduces mistakes during staging of material.

The box dimensions customary in the market can be adapted through plaster-based roller shutters to any wall thickness. With this window frame mounted system plastering rails are also available for ETICS and klinker brick facades.



COLOURS:

Boxes and guide rails are available in white and also in Renolit coatings. In addition to that guide rails and boxes out of aluminium can be coated in all RAL, 20 structure and 3 DB colours. The choice of colours is unlimited.



Available in all MBAS Classic film coatings

OPERATION:

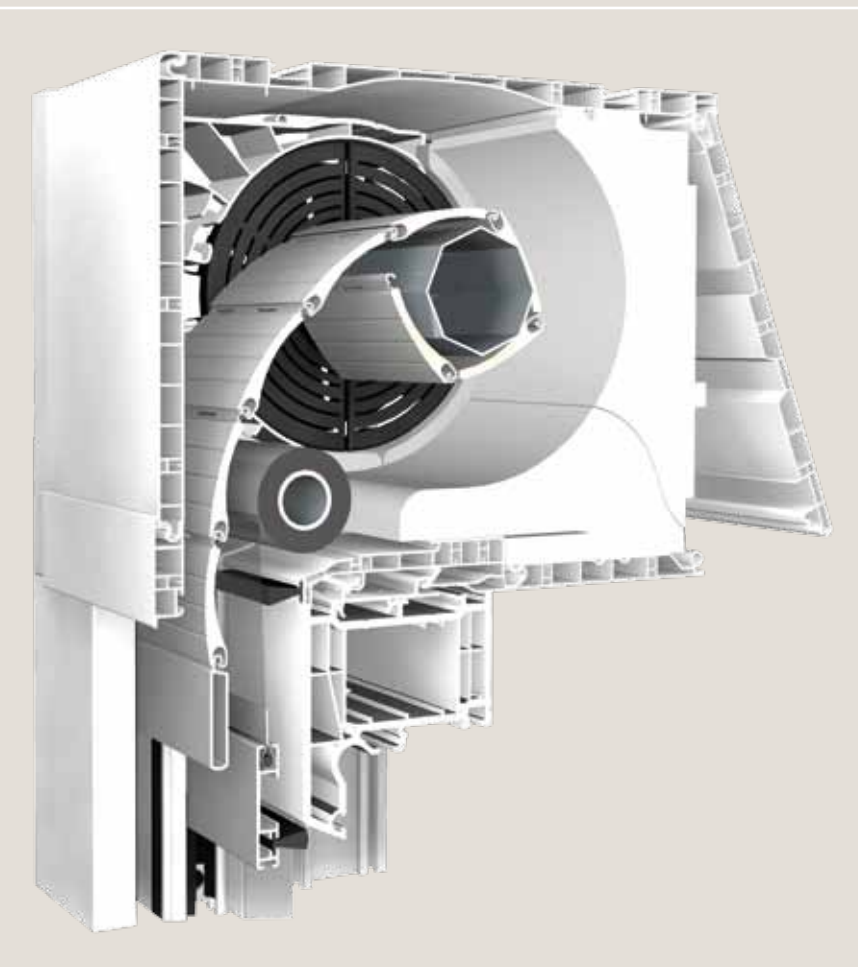
In addition to the standard operation with 14mm tape all other operations customary in the market like tubular motor, bevel drive as well as 23mm tape for new buildings with excess length of the box.

Motor drive - easy to operate - offers the following options:

- drive with mechanical end positions
- drive with anti-freeze and recognition of obstacles
- drive with remote control



**Inspection access to the inside -
the classical solution for inspection**



U_{sb} ≤ 0,85 W/m²K, fR_{si} ≥ 0,70

Box dimensions (height x depth):
175 x 220 mm
200 x 220 mm
240 x 255 mm

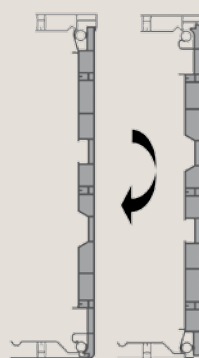
heights of elements:
up to 400 cm with mini profiles
up to 240 cm with maxi profiles

(pls take into account the max. installation size of the element depending on the profiles)

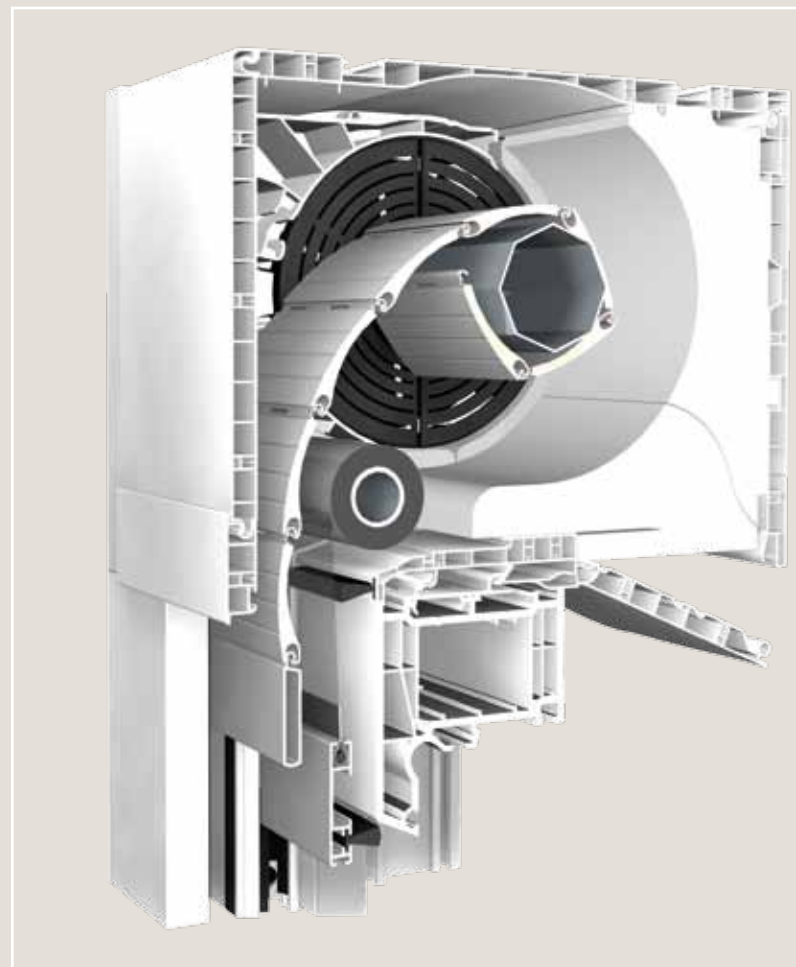
System description:

- inspection hatch to the interior for max. accessibility
- easy maintenance and refitting
- integrated insect repelling system (without negative impact on rolling diameter)
- plasterable on the outside

The variable opening allows through a simple turning of the back box part to change the inspection opening from the inside downwards



**Inspection access below -
solution for new buildings, plasterable both sides**



U_{sb} ≤ 0,85 W/m²K, fR_{si} ≥ 0,70

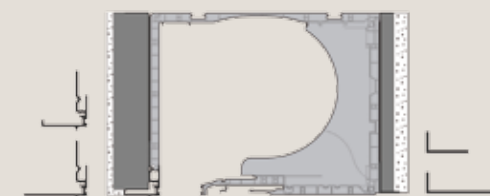
Box dimensions (height x depth):
175 x 220 mm
200 x 220 mm
240 x 255 mm

Element heights:
up to 400 cm with mini profiles
up to 240 cm with maxi profiles

(pls take into account the max. installation size of the element depending on the profiles)

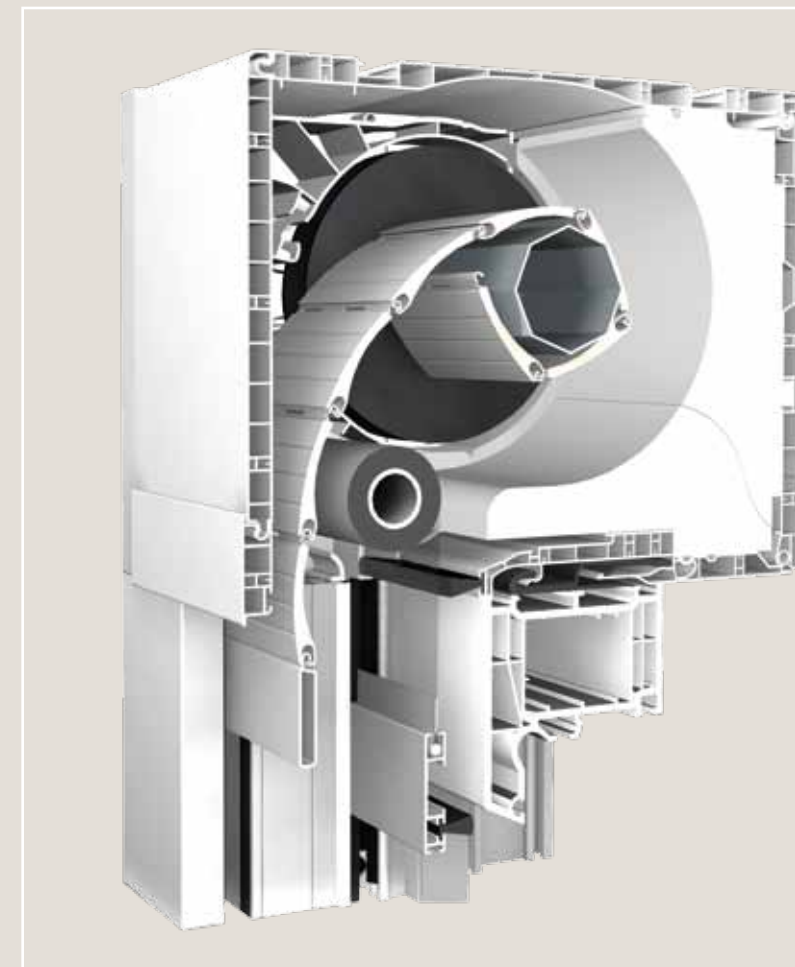
System description:

- plasterable inside and outside
- integrated insect repelling system (without negative impact on rolling diameter)
- depth of window frame up to 92 mm



Optimal connection to construction through various plaster rails for normal plaster, Etics or Klinker wall.

**Inspection access below -
solution for new buildings, plasterable both sides**



U_{sb} ≤ 0,82 W/m²K, fR_{si} ≥ 0,72

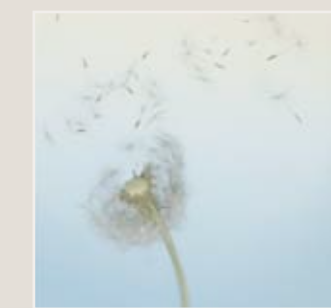
Box dimensions (height x depth):
175 x 220 mm
200 x 220 mm
240 x 255 mm

Element heights:
up to 240 cm with maxi profiles

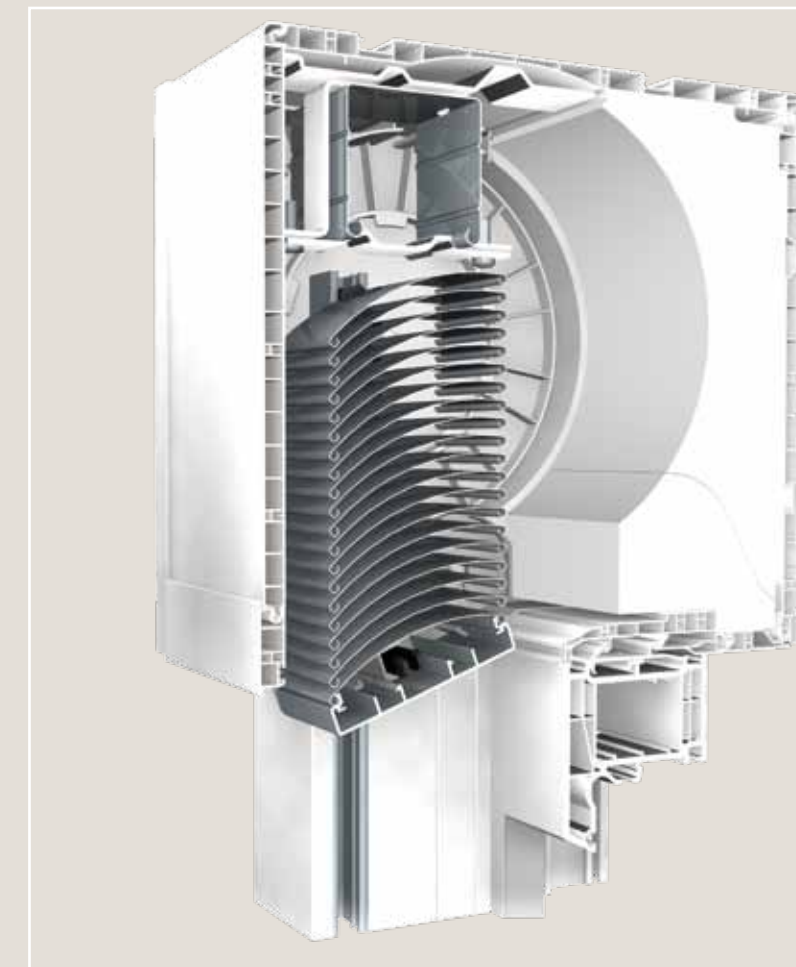
(pls take into account the max. installation size of the element depending on the profiles)

System description:

- maximal airtightness: no inspection plate inside
- plasterable inside and outside
- integrated insect repelling system (without negative impact on rolling diameter)



**Exterior blinds -
continuous light modulation for modern windows**



U_{sb} ≤ 0,85 W/m²K, fR_{si} ≥ 0,70

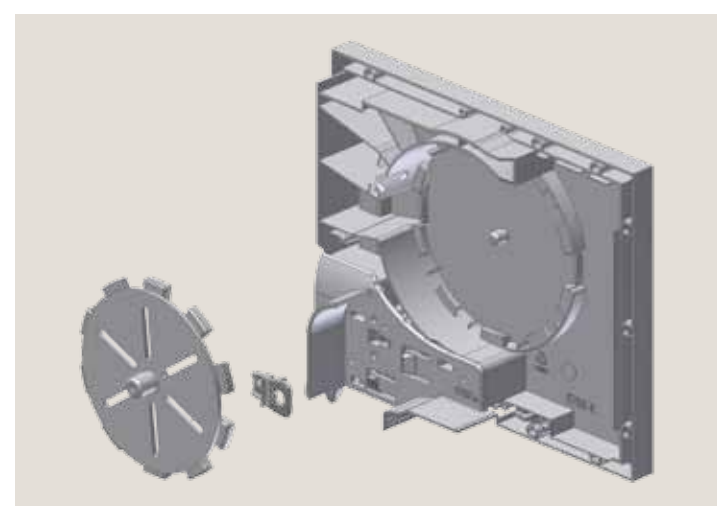
box dimensions (height x depth):
240 x 255 mm

Element heights up to 440 cm with flat slat
Element heights up to 200 cm with edge-raised slat

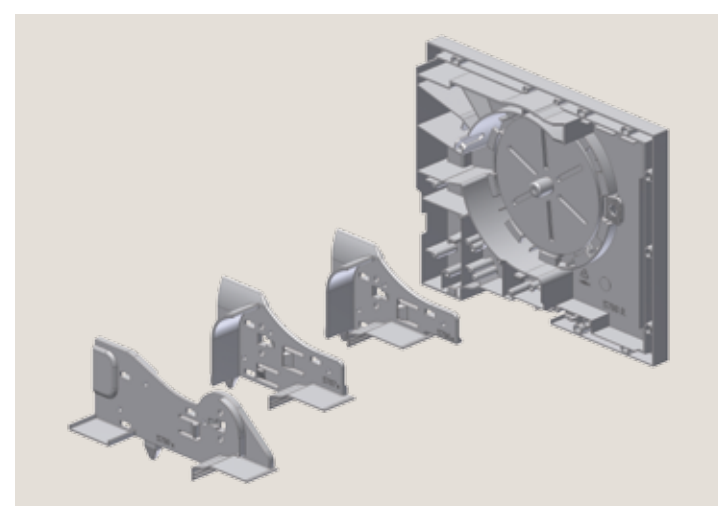
SYSTEM DESCRIPTION

- modern exterior blind curtains and large element drops
- maximal airtightness without interior inspection plates
- plasterable outside and inside

optionally with flat slat or edge-raised slat



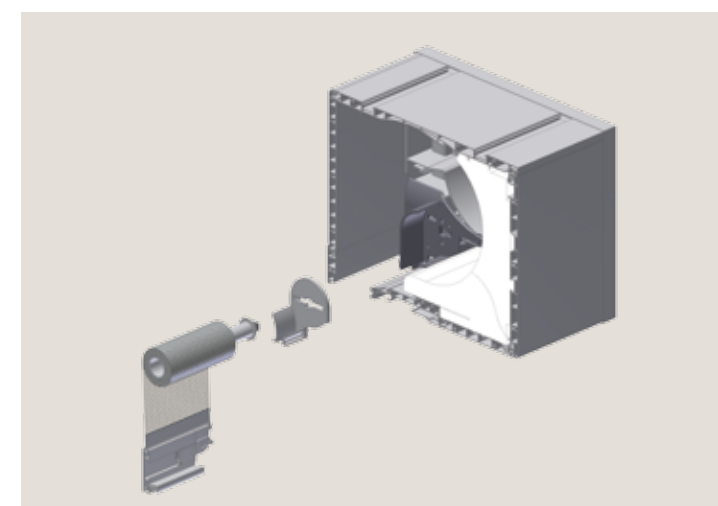
Innovative mounting with fast fixation for an easy assembly and maintenance. Compared to existing systems the drive can be changed more easily respectively refitted from tape to motor drive. The radiating construction of the support plate allows to implement any installation angle of the drive unit. to differentiate between



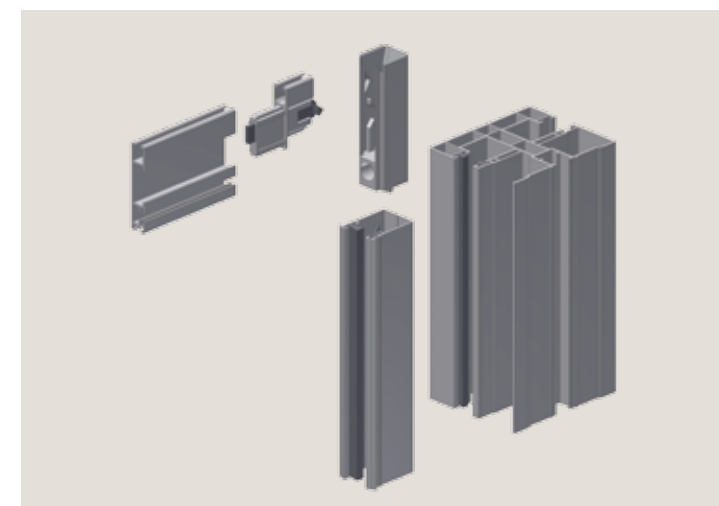
Adapter solution for entry and inspection cover plate

- With few parts all versions of AK-U.2 can be done:
- inspection to the interior or downwards
 - inspection outside or
 - exterior blinds

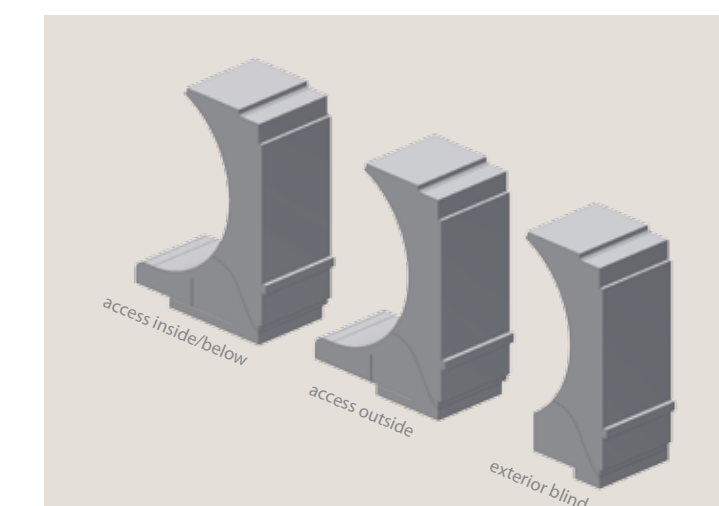
During the positioning of the entries there is no need mini or maxi curtain.



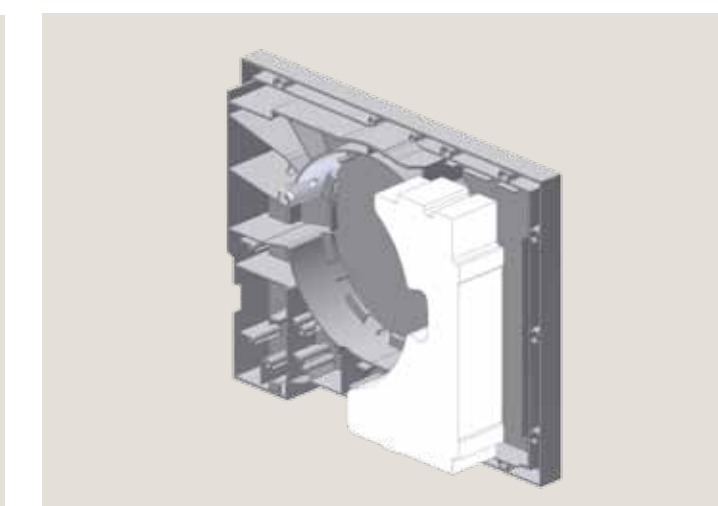
The integrated insect repelling system is mounted well protected behind the curtain. Spring mechanism and brake have been adopted from the built-on programme and therefore offer the same advantages like longlife endurance and excellent ease of use.



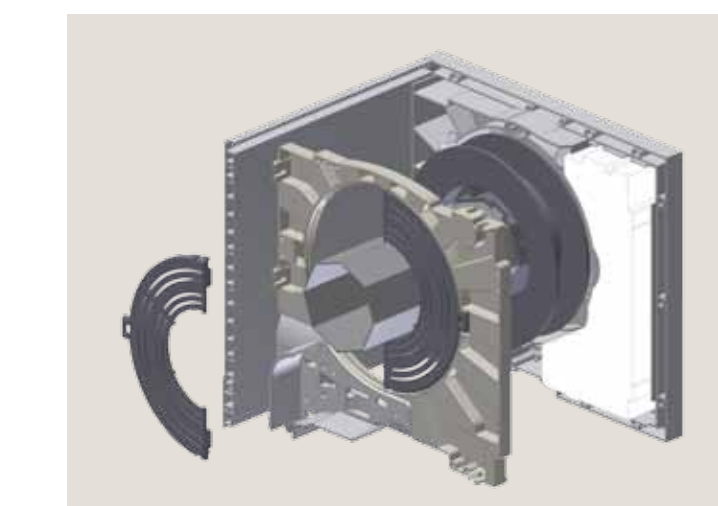
Guide Rail with „ripping groove“ and adapting rail for integrated insect repelling system. The patented ALUKON-Easy-click-locking is also available for WFM System AK-U.2. Optionally, alu guide-rails and boxes are available in RAL and structural lacquer cols.



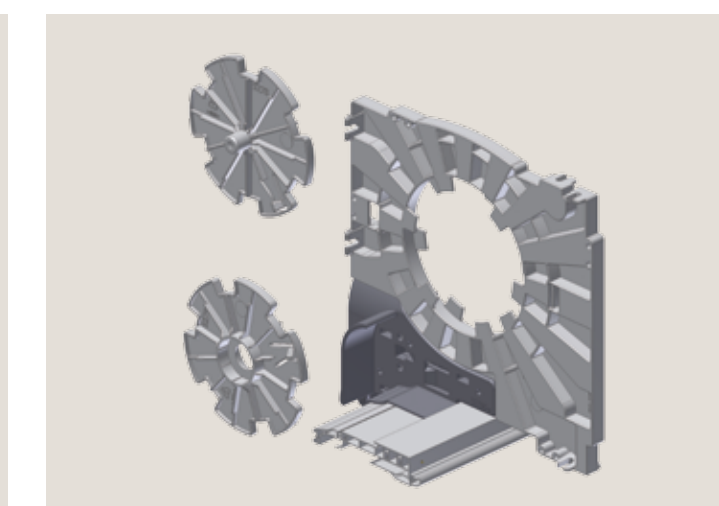
The new insulation concept with rated break points offers one insulation for all versions. Parts not needed for inspection outside or exterior blind boxes will be simply detached.



All boxes will be equipped with head piece insulation which is up to future more stringent EnEV regulations. The AK-U.2 WFM box therefore has an essential advantage compared to other systems available in the market as the head piece is no longer the energetical weak point.



Excess end box with tape, motor or bevel drive. Separated clipsable clipping discs facilitate mounting and demounting for maintenance.



Universal center bearing with applications for link-up or division. Applications are clicked into place through a bayonet cap. At the center bearing also the the clipsable entries are used.